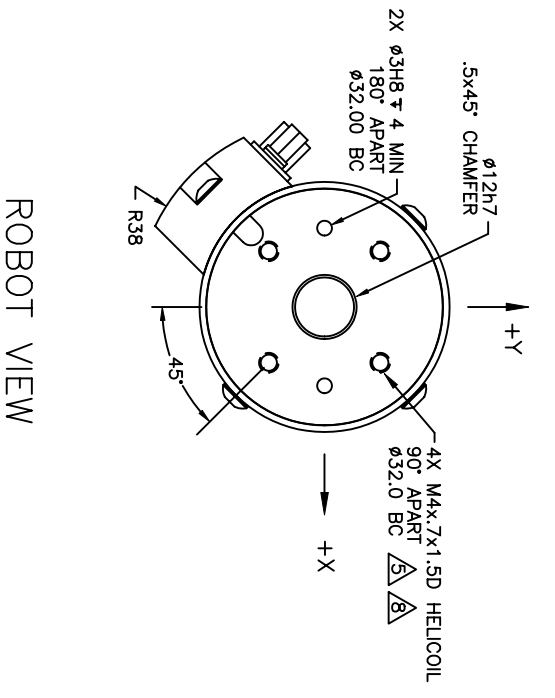
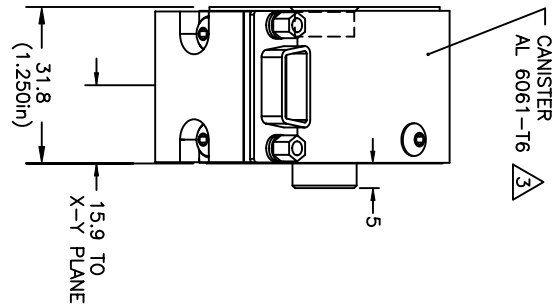
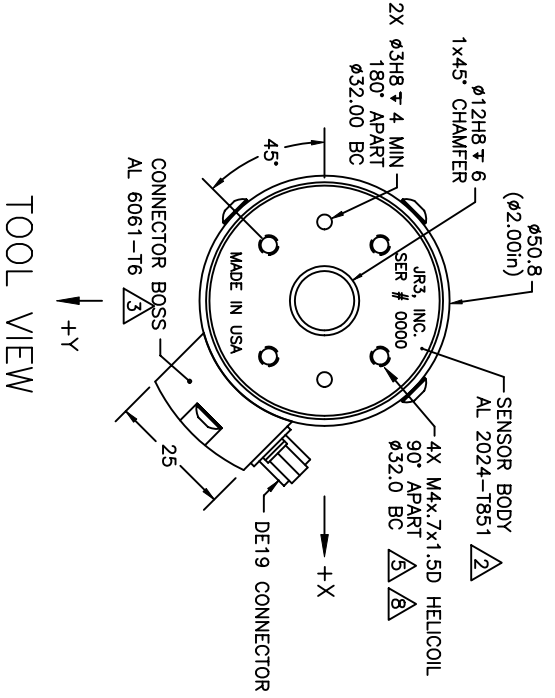


REVISIONS			
REV	DESCRIPTION	DATE	APPROVED
-	INITIAL RELEASE	08/21/07	G. SAKONA



- NOTES:
- ALL DIMENSIONS ARE IN MILLIMETERS UNLESS OTHERWISE NOTED.
  - TYPE 2, CLASS 2, BLACK ANODIZE.
  - TYPE 2, CLASS 2, BLUE ANODIZE.
  - AVAILABLE LOAD RATINGS INCLUDE: 40, 63, AND 100N (10, 15, AND 25lb) WHERE:
    - FULL SCALE F<sub>x</sub>, F<sub>y</sub> = LOAD RATING
    - FULL SCALE F<sub>z</sub> = LOAD RATING \* 2
    - FULL SCALE M<sub>x</sub>, M<sub>y</sub>, M<sub>z</sub> = LOAD RATING \* NOMINAL DIAMETER (.05M, 2.0in)
  - MAXIMUM ALLOWED PENETRATION OF MOUNTING SCREWS INTO SENSOR IS 12mm.
  - AXES SHOWN ASSUME OPPOSITE SIDE HELD FIXED.
  - ROBOT VIEW IS RIGHT HAND RULE (JR3 STANDARD). THIS FORCES TOOL VIEW TO BE LEFT HAND RULE.
  - TORQUE MOUNTING SCREWS TO 2.8Nm FOR 40N SENSORS OR 3.8Nm FOR 63N AND 100N SENSORS IN 3 EQUAL STEPS, FOLLOWING AN A-C-B-D SEQUENCE.

<b>TITLE:</b> INTERFACE, 20E12 SENSOR, M32A BOLT PATTERN		<b>MODEL:</b>	
<b>MAT'L:</b> AS SHOWN			
<b>TOLERANCES:</b> (UNLESS OTHERWISE NOTED)			
X = ±.25mm XX = ±.10mm XXX = ±.025mm ANGLES = ±0.1°	<b>DRAWN:</b> GCS	<b>SCALE:</b> 1/1 AND NOTED	<b>DWG SIZE:</b> B
<b>JR3, INC.</b>	<b>WOODLAND, CA 95776</b>	<b>DWG NO:</b> 4953	<b>REV:</b> -
		<b>SHEET 1 OF 1</b>	