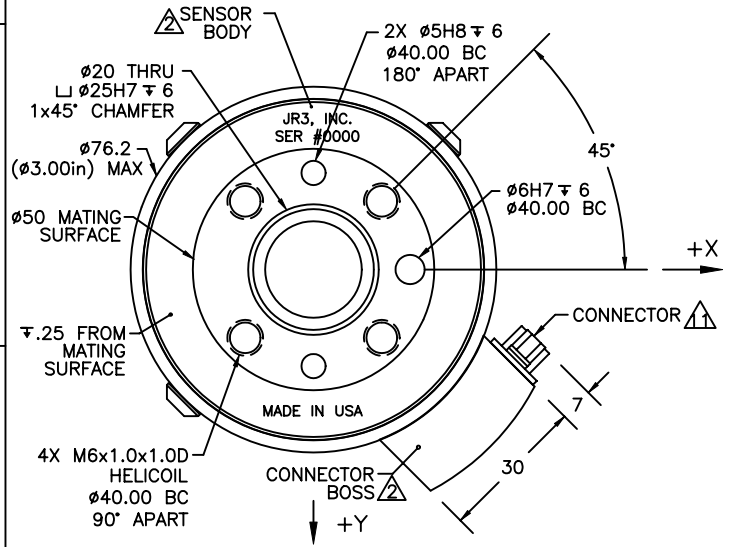
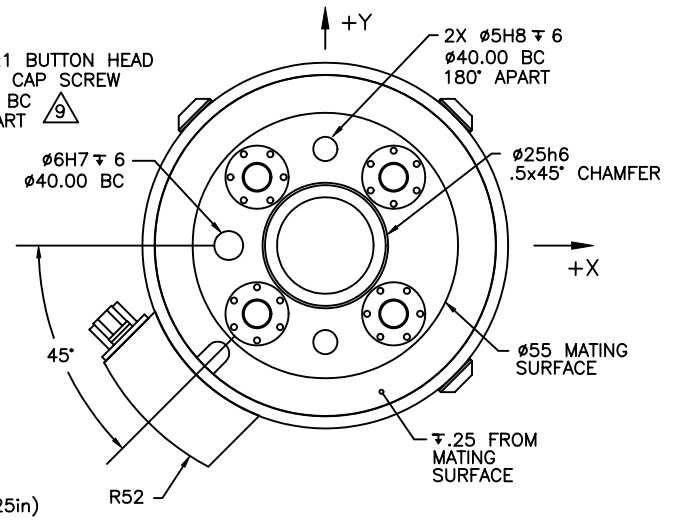
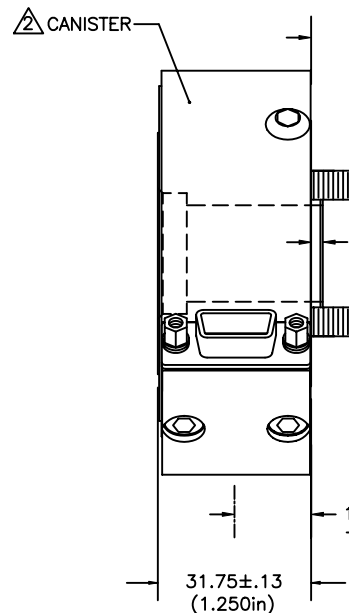


REVISIONS			
REV	DESCRIPTION	DATE	APPROVED
-	INITIAL RELEASE	06/30/95	G. SAKONA
A	SEE ECN E0363	12/07/95	G. SAKONA
B	SEE ECN E0448	09/16/97	G. SAKONA
C	SEE ECN E0464	12/16/97	G. SAKONA
D	SEE ECN E0543	06/29/99	G. SAKONA
E	SEE ECN E0792	10/04/04	G. SAKONA
F	SEE ECN E853	03/19/07	G. SAKONA



TOOL VIEW



ROBOT VIEW

- NOTES:
- ALL DIMENSIONS ARE IN MILLIMETERS UNLESS OTHERWISE NOTED.
 - NOTED PARTS MAY BE ALUMINUM OR STAINLESS STEEL.
 - ALUMINUM PARTS ARE ANODIZED (TYPE 2, CLASS 2). STAINLESS STEEL PARTS ARE PASSIVATED.
 - AVAILABLE LOAD RATINGS IN ALUMINUM : 10, 15, 25, 50lb (40, 63, 100, 200N), IN STAINLESS STEEL: 40, 65, 100lb (200, 315, 400N),
WHERE: FULL SCALE F_x, F_y = LOAD RATING
FULL SCALE F_z = LOAD RATING * 2
FULL SCALE M_x, M_y, M_z = LOAD RATING * NOMINAL DIAMETER (3.0in, .076m)
 - LENGTH OF CAPTIVE BOLT PROJECTION MAY BE ALTERED PER CUSTOMER REQUEST.
 - AXES SHOWN ASSUME OPPOSITE SIDE HELD FIXED.
 - ROBOT VIEW IS RIGHT HAND RULE (JR3 STANDARD). THIS FORCES TOOL VIEW TO BE LEFT HAND RULE.
 - TORQUE MOUNTING SCREWS TO 88inlb (10Nm) IN 3 EQUAL STEPS, FOLLOWING AN A-C-B-D SEQUENCE.
 - SCREWS ARE CAPTIVE, FREE TO ROTATE, AND ACCESSIBLE WITH HEX KEY THRU SENSOR TOOL SIDE.
 - MAXIMUM ALLOWABLE SCREW PENETRATION INTO SENSOR TOOL SIDE IS 15mm (.60in).
 - DE19P FOR EXTERNAL ELECTRONICS, DE15P FOR INTERNAL ANALOG, OR DE15S FOR INTERNAL DIGITAL.

TITLE:
INTERFACE, 30E12 SENSOR, 140 BOLT PATTERN

MAT'L: AS SHOWN	MODEL:	DRAWN: GCS
TOLERANCES: (UNLESS OTHERWISE NOTED) .XX=±.010in X=±.25mm .XXX=±.005in .X=±.10mm .XXXX=±.001in .XX=±.025mm ANGLES = ±0.1°		SCALE: 1/1 AND NOTED
		DWG SIZE: B
		DWG NO: 4841
		REV: F
SHEET 1 OF 1		

JR3, INC. WOODLAND, CA 95776

AUTHORIZED COPY