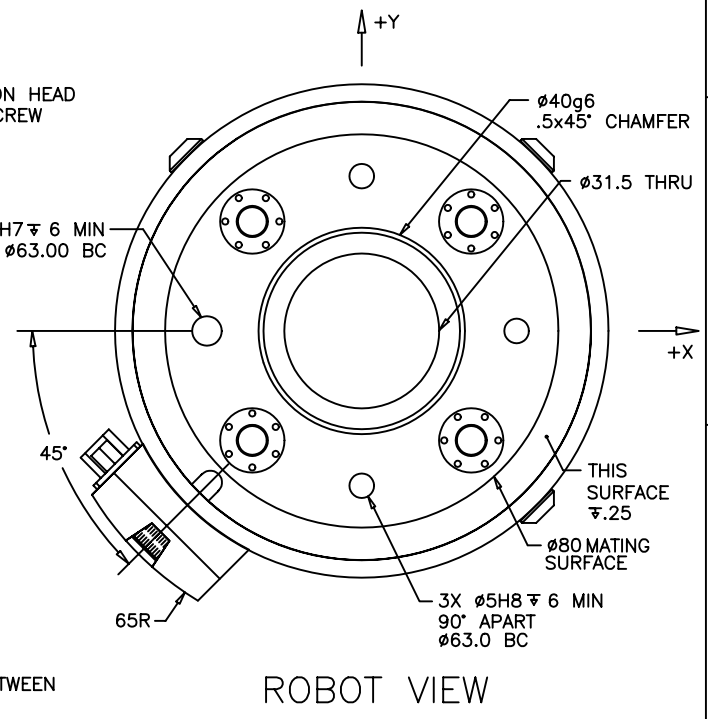
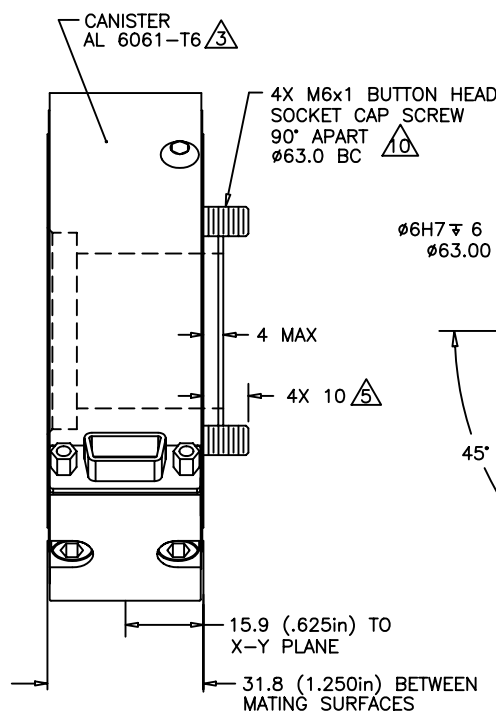
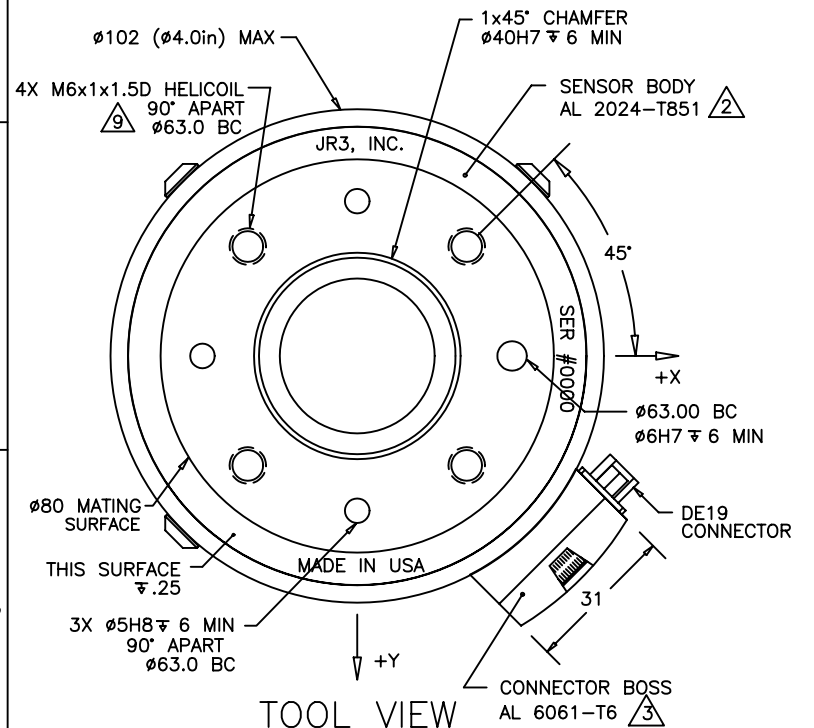


REVISIONS			
REV	DESCRIPTION	DATE	APPROVED
-	INITIAL RELEASE	12/02/05	G. SAKONA



- NOTES:
- DIMENSIONS ARE IN MILLIMETERS UNLESS OTHERWISE NOTED.
 - TYPE 2 CLASS 2 BLACK ANODIZE.
 - TYPE 2, CLASS 2, BLUE ANODIZE.
 - STANDARD LOAD RATINGS INCLUDE: 15, 25, 50 AND 100lb,
WHERE: FULL SCALE Fx, Fy = SENSOR RATING
FULL SCALE Fz = SENSOR RATING * 2
FULL SCALE Mx, My, Mz = SENSOR RATING * NOMINAL DIAMETER (4.0in)
 - LENGTH OF CAPTIVE SCREW PROJECTION MAY BE ALTERED PER CUSTOMER REQUEST.
 - AXES SHOWN ASSUME OPPOSITE SIDE HELD FIXED.
 - ROBOT VIEW IS RIGHT HAND RULE (JR3 STANDARD). THIS FORCES TOOL VIEW TO BE LEFT HAND RULE.
 - TORQUE MOUNTING SCREWS TO 10Nm (88inlb) IN 3 EQUAL STEPS, FOLLOWING AN ACEBDF SEQUENCE.
 - MAXIMUM ALLOWABLE SCREW PENETRATION INTO SENSOR TOOL SIDE IS 10mm (.40in).
 - SCREWS ARE CAPTIVE, FREE TO ROTATE, AND ACCESSIBLE WITH HEX KEY THRU SENSOR TOOL SIDE.

TITLE: INTERFACE, 40E12 SENSOR, 163 BOLT PATTERN

MAT'L: AS SHOWN	MODEL:	DRAWN: GCS
TOLERANCES: (UNLESS OTHERWISE NOTED) X = ±.25mm .XX = ±.010in .X = ±.10mm .XXX = ±.005in .XX = ±.025mm .XXXX = ±.001in ANGLES = ±0.1°		SCALE: 1/1 AND NOTED
JR3, INC. WOODLAND, CA 95776		DWG SIZE: B
		DWG NO: 4927
		REV: -
SHEET 1 OF 1		

AUTHORIZED COPY