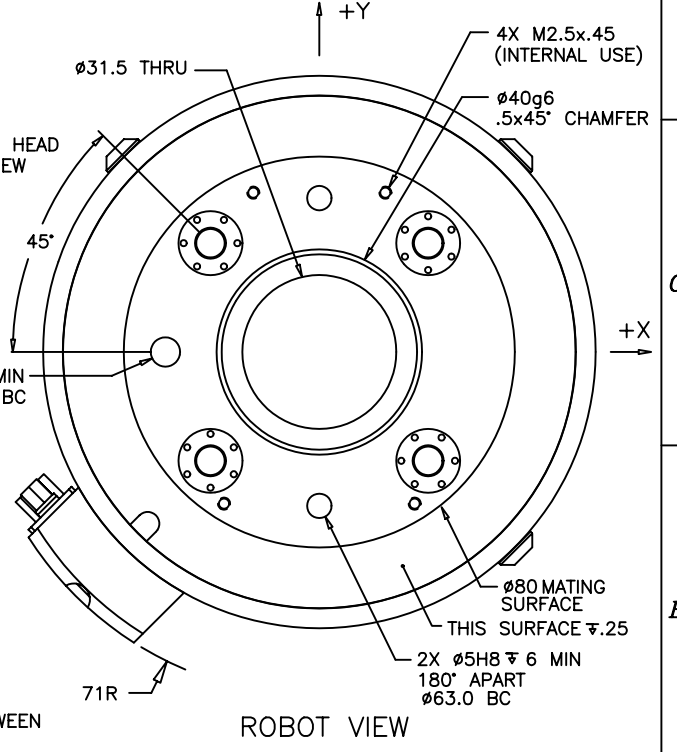
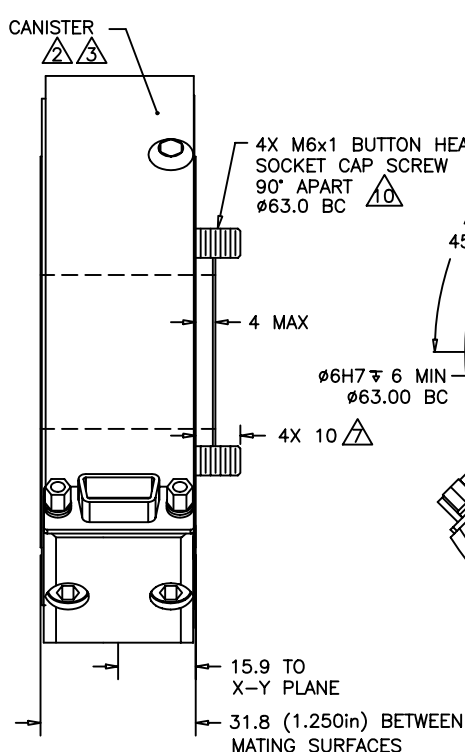
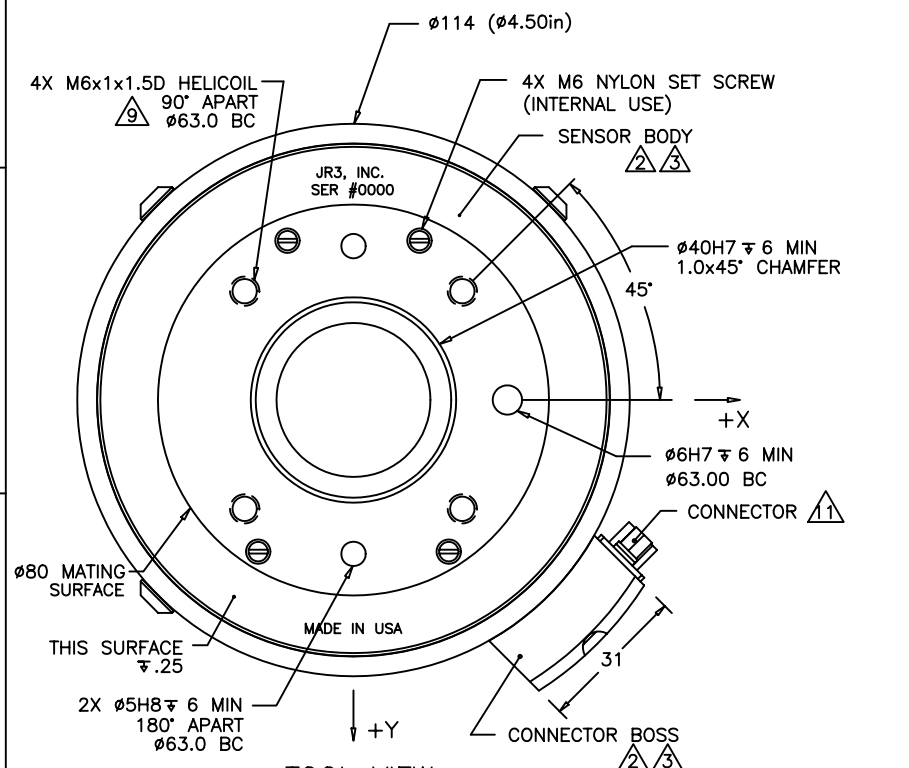


REVISIONS			
REV	DESCRIPTION	DATE	APPROVED
-	INITIAL RELEASE	02/24/03	G. SAKONA
A	SEE ECN E0846	01/08/07	G. SAKONA



- NOTES:
1. DIMENSIONS ARE IN MILLIMETERS UNLESS OTHERWISE NOTED.
  2. NOTED PARTS MAY BE ALUMINUM OR STAINLESS STEEL AS REQUIRED.
  3. ALUMINUM PARTS ARE ANODIZED (TYPE 2, CLASS 2). STAINLESS STEEL PARTS ARE PASSIVATED.
  4. STANDARD LOAD RATINGS INCLUDE: 15LB, 25LB, AND 50LB IN ALUMINUM; 40LB, 65LB, & 130LB IN SS:  
 WHERE: FULL SCALE F<sub>x</sub>, F<sub>y</sub> = SENSOR RATING  
 FULL SCALE F<sub>z</sub> = SENSOR RATING \* 2  
 FULL SCALE M<sub>x</sub>, M<sub>y</sub>, M<sub>z</sub> = SENSOR RATING \* NOMINAL DIAMETER (4.5in)
  5. AXES SHOWN ASSUME OPPOSITE SIDE HELD FIXED.
  6. ROBOT VIEW IS RIGHT HAND RULE (JR3 STANDARD). THIS FORCES TOOL VIEW TO BE LEFT HAND RULE.
  7. LENGTH OF CAPTIVE BOLT PROJECTION MAY BE ALTERED PER CUSTOMER REQUEST.
  8. TORQUE MOUNTING SCREWS TO 10Nm (88inlb) IN 3 EQUAL STEPS, FOLLOWING AN ACEBDF SEQUENCE.
  9. MAXIMUM ALLOWED SCREW PENETRATION INTO SENSOR TOOL SIDE IS 12mm.
  10. SCREWS ARE CAPTIVE, RETRACTABLE, FREE TO ROTATE AND ACCESSIBLE WITH HEX KEY THRU TOOL SIDE.
  11. CONNECTOR IS DE19P WITH EXTERNAL ELECTRONICS, DE9P WITH INTERNAL ANALOG ELECTRONICS.

**TITLE:** INTERFACE, 45E12 SENSOR, I63 BOLT PATTERN

<b>MAT'L:</b> AS SHOWN	<b>DRAWN:</b> GCS
<b>DEFAULT TOLERANCES:</b>	<b>SCALE:</b> 1/1 AND NOTED
LINEAR: X = ±.25mm .X = ±.10mm .XX = ±.025mm	<b>DWG SIZE:</b> B
ANGULAR: X = ±0.25° .X = ±0.10°	<b>DWG NO:</b> 4901 <b>REV:</b> A
<b>SHEET 1 OF 1</b>	

**JR3, INC. WOODLAND, CA 95776**

AUTHORIZED COPY