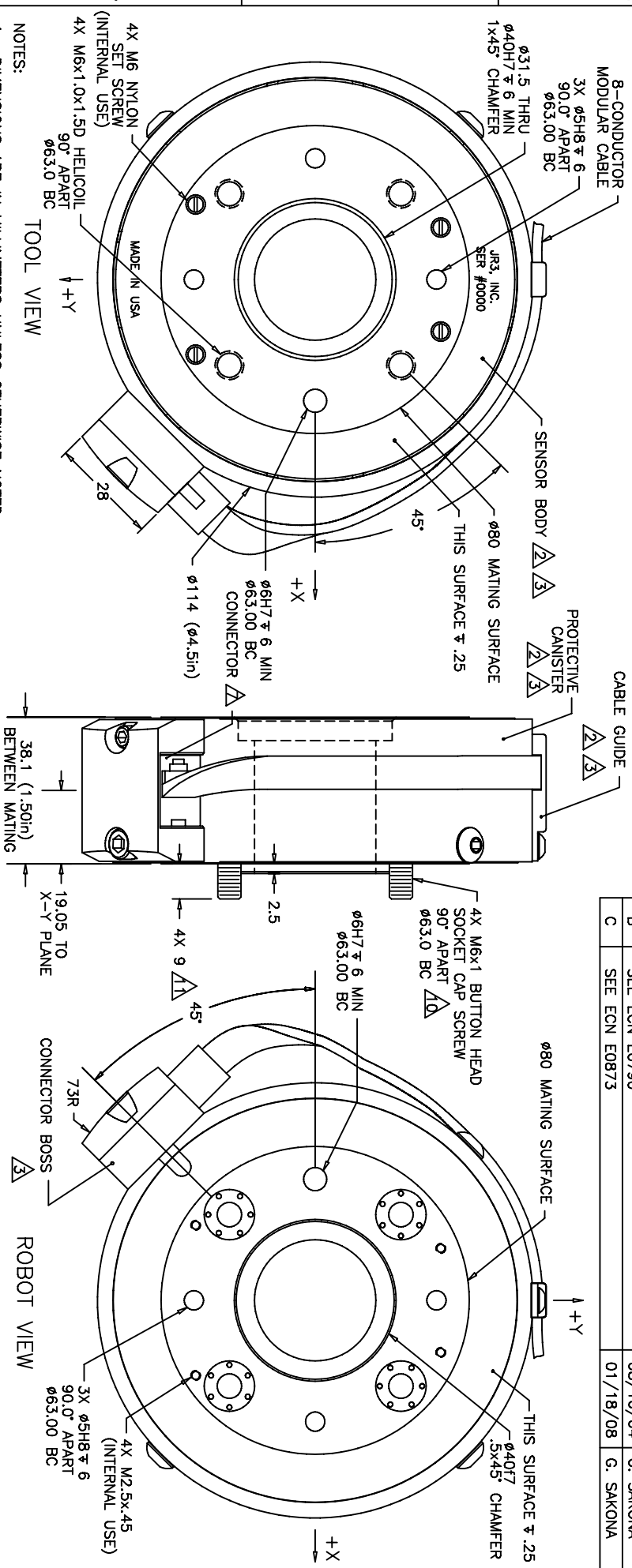


REVISIONS			1
REV	DESCRIPTION	DATE	APPROVED
-	INITIAL RELEASE	06/29/00	G. SAKONA
A	SEE ECN E0653	11/28/00	G. SAKONA
B	SEE ECN E0790	08/10/04	G. SAKONA
C	SEE ECN E0873	01/18/08	G. SAKONA



TOOL VIEW

ROBOT VIEW

NOTES:

1. DIMENSIONS ARE IN MILLIMETERS UNLESS OTHERWISE NOTED.
2. NOTED PARTS MAY BE ALUMINUM, STAINLESS STEEL, OR TITANIUM AS REQUIRED.
3. ALUMINUM PARTS ARE ANODIZED (TYPE 2, CLASS 2). STAINLESS STEEL PARTS ARE PASSIVATED.
4. AVAILABLE LOAD RATINGS INCLUDE: 200N, 400N, 630N AND 800N, WHERE:
  - FULL SCALE Fx, Fy = LOAD RATING
  - FULL SCALE Fz = LOAD RATING \* 2
  - FULL SCALE Mx, My, Mz = LOAD RATING \* NOMINAL DIAMETER
5. AXES SHOWN ASSUME OPPOSITE SIDE HELD FIXED.
6. ROBOT VIEW IS RIGHT HAND RULE (JRS STANDARD). THIS FORCES TOOL VIEW TO BE LEFT HAND RULE.
7. SENSOR CONNECTOR IS 8 PIN MODULAR FEMALE.
8. TORQUE MOUNTING SCREWS TO 10Nm (89inlb) IN 3 EQUAL STEPS, FOLLOWING AN ACBD SEQUENCE.
9. MAXIMUM ALLOWED PENETRATION OF MOUNTING SCREWS INTO SENSOR IS 12mm (.50in).
10. SCREWS ARE CAPTIVE, RETRACTABLE, AND FREE TO ROTATE. TIGHTEN WITH HEX KEY THRU TOOL SIDE HOLES.
11. LENGTH OF CAPTIVE SCREW PROJECTION MAY BE ALTERED PER CUSTOMER REQUEST.

<b>TTTTL:</b>		INTERFACE, 45E15 SENSOR, 163 BOLT PATTERN, DIGITAL	
<b>MAT'L:</b>	AS SHOWN	<b>MODEL:</b>	
<b>DEFAULT TOLERANCES:</b>		<b>DRAWN:</b>	GCS
LINEAR:	X = ±.25mm XX = ±.10mm XXX = ±.025mm	<b>SCALE:</b>	1/1 AND NOTED
ANGULAR:	X = ±0.10°	<b>DWG SIZE:</b>	B
		<b>DWG NO.:</b>	4881
		<b>REV.:</b>	C

**JRS, INC. WOODLAND, CA 95776**

SHEET 1 OF 1