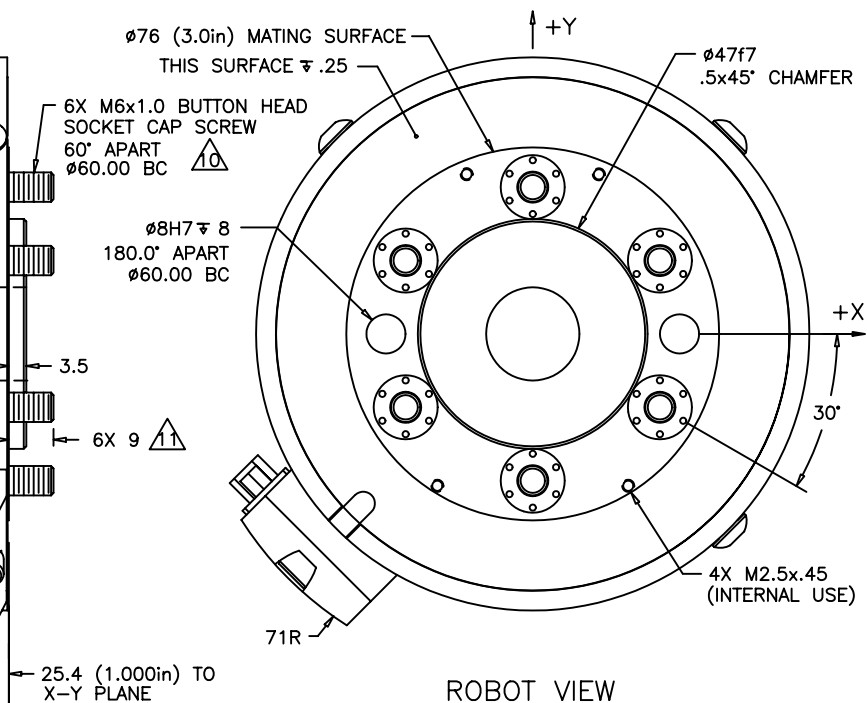
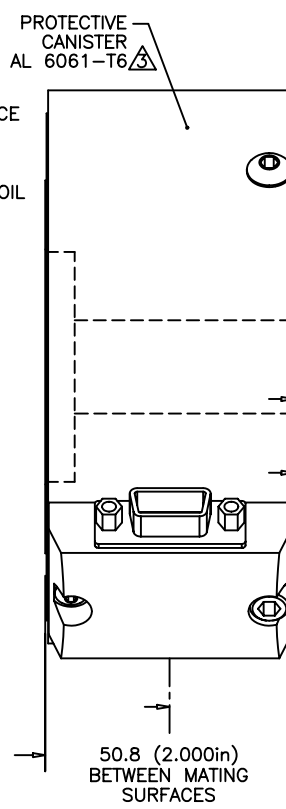
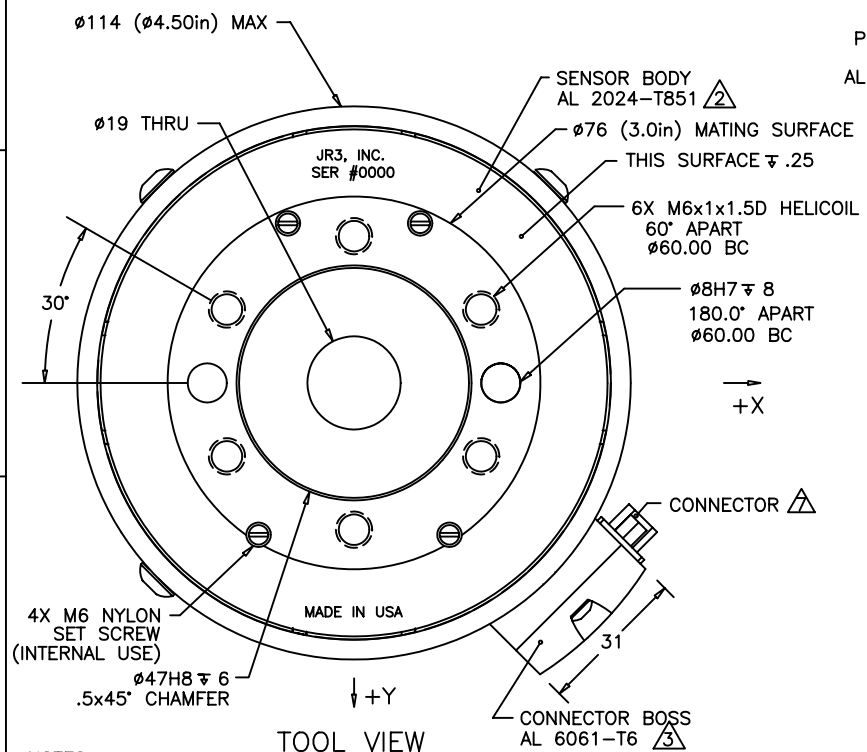


REVISIONS			
REV	DESCRIPTION	DATE	APPROVED
-	INITIAL RELEASE	08/29/02	G. SAKONA



- NOTES:
- DIMENSIONS ARE IN MILLIMETERS UNLESS OTHERWISE NOTED.
 - TYPE 2 BLACK ANODIZE.
 - TYPE 2, CLASS 2, BLUE ANODIZE.
 - AVAILABLE LOAD RATINGS INCLUDE: 50, 75, 100, 150 AND 250ib, WHERE:
 FULL SCALE F_x, F_y = SENSOR RATING
 FULL SCALE F_z = SENSOR RATING * 2
 FULL SCALE M_x, M_y, M_z = SENSOR RATING * NOMINAL DIAMETER (4.5in)
 - AXES SHOWN ASSUME OPPOSITE SIDE HELD FIXED.
 - ROBOT VIEW IS RIGHT HAND RULE (JR3 STANDARD). THIS FORCES TOOL VIEW TO BE LEFT HAND RULE.
 - CONNECTOR IS DE19 FOR SENSORS WITH EXTERNAL ELECTRONICS, DE9 WITH INTERNAL ANALOG ELECTRONICS.
 - TORQUE MOUNTING SCREWS TO 88inlb (10Nm) IN 3 EQUAL STEPS, FOLLOWING AN ACEBDF SEQUENCE.
 - MAXIMUM ALLOWED PENETRATION OF MOUNTING SCREWS INTO SENSOR TOOL SIDE IS 20mm (.75in).
 - SCREWS ARE CAPTIVE, FREE TO ROTATE, AND ACCESSIBLE WITH HEX KEY THRU SENSOR TOOL SIDE.
 - LENGTH OF CAPTIVE BOLT PROJECTION MAY BE ALTERED PER CUSTOMER REQUEST.

TITLE:
INTERFACE, 45E20 SENSOR, U760 BOLT PATTERN

MAT'L: AS SHOWN	MODEL:	DRAWN: GCS
DEFAULT TOLERANCES:		SCALE: 1/1 AND NOTED
LINEAR: X = ±.25mm X = ±.10mm XX = ±.025mm		DWG SIZE: B
ANGULAR: X = ±0.25° X = ±0.10°		DWG NO: 4898
JR3, INC. WOODLAND, CA 95776		REV: -
		SHEET 1 OF 1

AUTHORIZED COPY