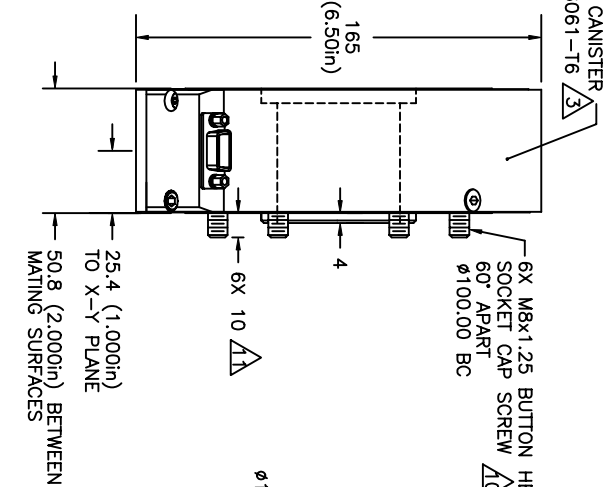
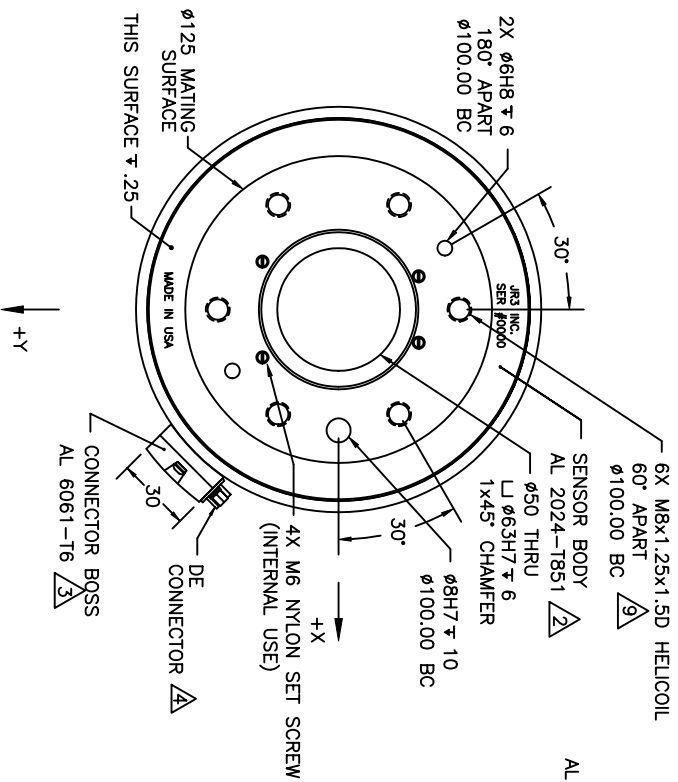


REVISIONS			
REV	DESCRIPTION	DATE	APPROVED
-	INITIAL RELEASE	06/03/94	G. SAKONA
A	SEE ECN E0328	06/26/95	G. SAKONA
B	SEE ECN E0460	11/24/97	G. SAKONA
C	SEE ECN E0735	09/18/02	G. SAKONA



TOOL VIEW

ROBOT VIEW

NOTES:

- ALL DIMENSIONS ARE IN MILLIMETERS UNLESS OTHERWISE NOTED.
- TYPE 2, CLASS 2, BLACK ANODIZE.
- TYPE 2, CLASS 2, BLUE ANODIZE.
- CONNECTOR IS DE19 FOR EXTERNAL ELECTRONICS OR DE9 FOR INTERNAL ANALOG ELECTRONICS.
- AXES SHOWN ASSUME OPPOSITE SIDE HELD FIXED.
- ROBOT VIEW IS RIGHT HAND RULE (JRS3 STANDARD). THIS FORCES TOOL VIEW TO BE LEFT HAND RULE.
- AVAILABLE LOAD RATINGS INCLUDE: 100, 150, 250, 400 AND 500LB, WHERE:  
 FULL SCALE Fx, Fy = SENSOR RATING \* 2  
 FULL SCALE Fz = SENSOR RATING \* 2  
 FULL SCALE Mx, My, Mz = SENSOR RATING \* NOMINAL DIAMETER (6.5in)
- TORQUE MOUNTING SCREWS TO 24Nm (210inlb) IN 3 EQUAL STEPS FOLLOWING AN ACEBDF SEQUENCE. MAXIMUM ALLOWED SCREW PENETRATION INTO SENSOR TOOL SIDE IS 20mm (.80in).
- SCREWS ARE CAPTIVE, FREE TO ROTATE, AND ACCESSIBLE WITH HEX THRU SENSOR TOOL SIDE. LENGTH OF CAPTIVE BOLT PROJECTION MAY BE ALTERED PER CUSTOMER REQUEST.

<b>TITLE:</b> INTERFACE, 65E20 SENSOR, 1100 BOLT PATTERN			
<b>MAT'L:</b> AS SHOWN	<b>MODEL:</b>	<b>DRAWN:</b> GCS	<b>SCALE:</b> 1/1 AND NOTED
<b>TOLERANCES:</b> (UNLESS OTHERWISE NOTED) X = ±.25mm XX = ±.10mm XXX = ±.025mm ANGLES = ±0.1°		<b>DWG SIZE:</b> B	<b>DWG NO:</b> 4830
<b>JRS3, INC. WOODLAND, CA 95776</b>		<b>SHEET</b> 1 OF 1	<b>REV:</b> C