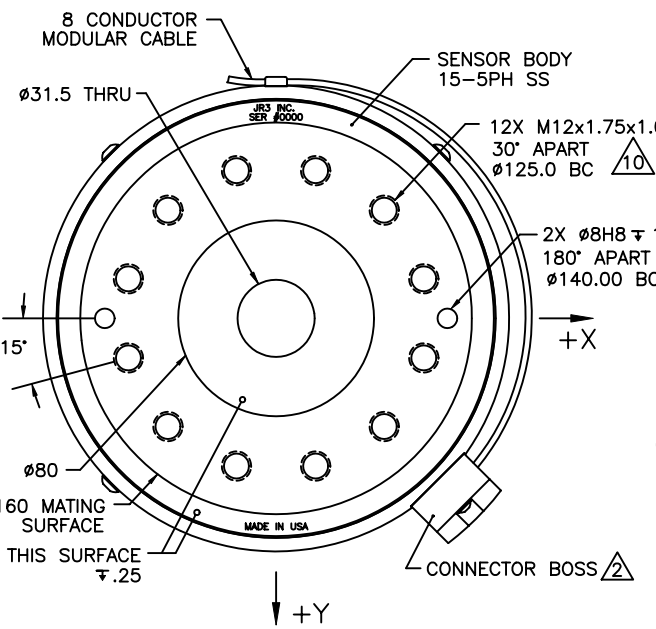
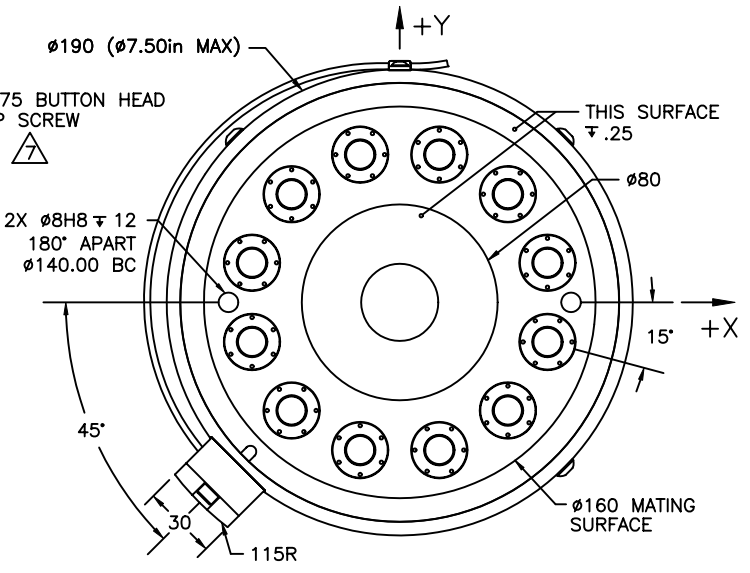
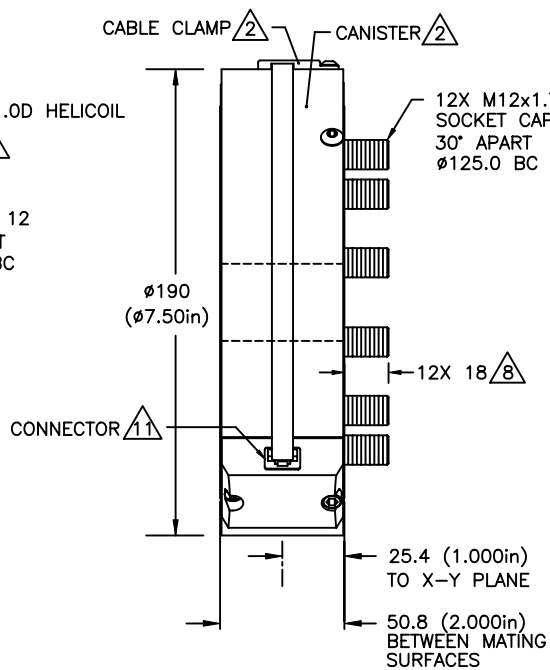


REVISIONS			
REV	DESCRIPTION	DATE	APPROVED
-	INITIAL RELEASE	05/29/06	G. SAKONA



TOOL VIEW



ROBOT VIEW

- NOTES:
- ALL DIMENSIONS ARE IN MILLIMETERS UNLESS OTHERWISE NOTED.
 - NOTED PARTS MAY BE STAINLESS STEEL OR ALUMINUM PER CUSTOMER REQUEST.
 - STAINLESS STEEL PARTS ARE PASSIVATED, ALUMINUM PARTS ARE TYPE 2, CLASS 2 BLUE ANODIZED.
 - AVAILABLE STANDARD SENSOR LOAD RATINGS INCLUDE: 250, 400, 700 AND 1250lb, WHERE: FULL SCALE F_x, F_y = SENSOR RATING
FULL SCALE F_z = SENSOR RATING * 2
FULL SCALE M_x, M_y, M_z = SENSOR RATING * NOMINAL DIAMETER (7.50in)
 - AXES SHOWN ASSUME OPPOSITE SIDE HELD FIXED.
 - ROBOT VIEW IS RIGHT HAND RULE (JR3 STANDARD). THIS FORCES TOOL VIEW TO BE LEFT HAND RULE.
 - SCREWS ARE CAPTIVE, FREE TO ROTATE, AND ACCESSIBLE WITH HEX KEY THRU SENSOR TOOL SIDE.
 - LENGTH OF CAPTIVE BOLT PROJECTION MAY BE ALTERED PER CUSTOMER REQUEST.
 - TORQUE ALL MOUNTING SCREWS TO 84Nm (62ftlb) IN 3 EQUAL STEPS IN THE FOLLOWING SEQUENCE OF SCREWS: 1-7-3-9-5-11-2-8-4-10-6-12.
 - MAXIMUM ALLOWED PENETRATION OF MOUNTING SCREWS INTO SENSOR TOOL SIDE IS 20mm.
 - CONNECTOR IS 8 PIN MODULAR FEMALE.

TITLE: INTERFACE, 75E20 SENSOR, M125A BOLT PATTERN, SS, DIGITAL OUTPUT		
MAT'L: AS SHOWN	MODEL:	DRAWN: GCS
TOLERANCES: (UNLESS OTHERWISE NOTED) X = ±.25mm X = ±.10mm .XX = ±.025mm ANGLES = ±0.1°		SCALE: 1/2 AND NOTED
JR3, INC. WOODLAND, CA 95776		DWG SIZE: B
		DWG NO: 4929
		REV: -
SHEET 1 OF 1		

AUTHORIZED COPY