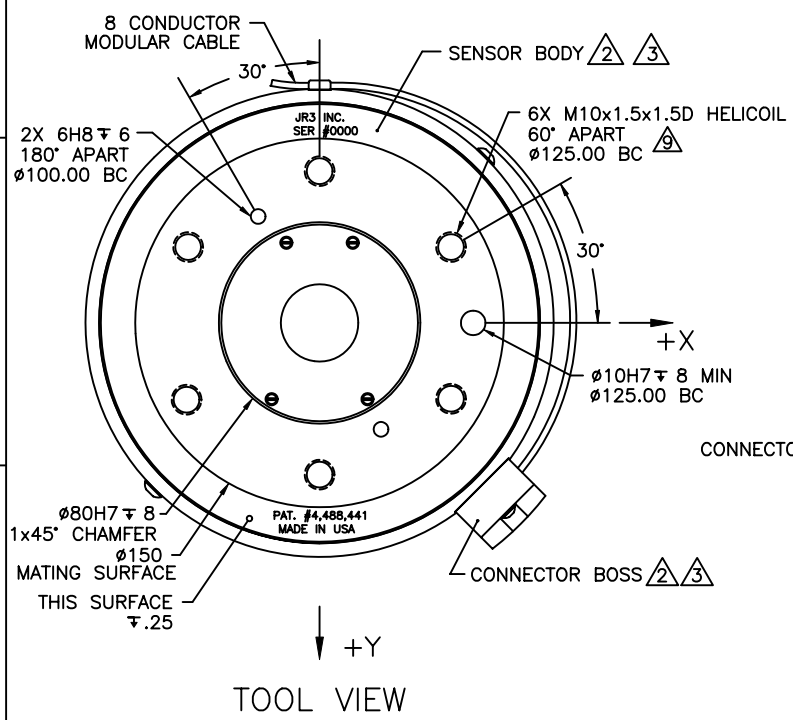
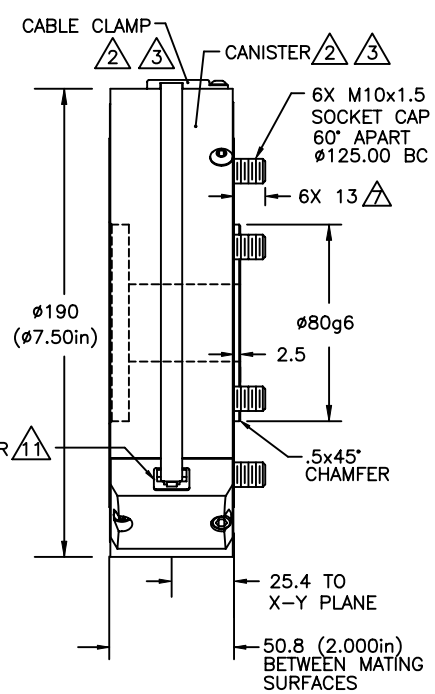


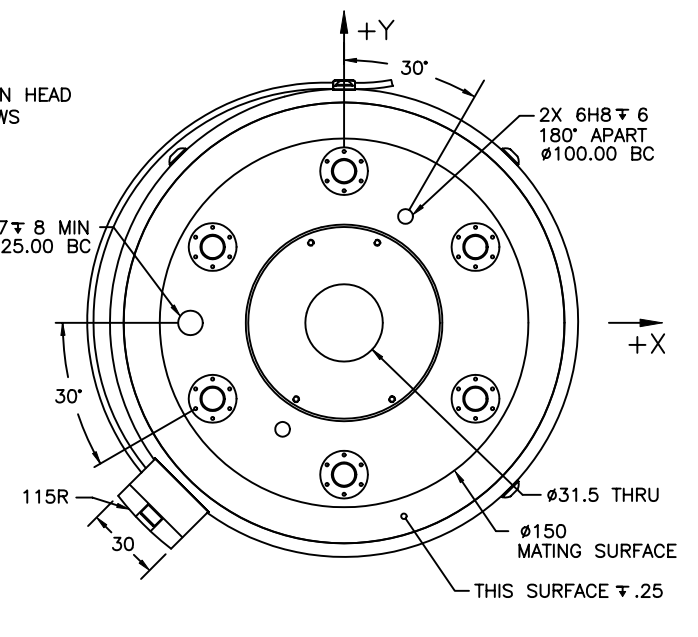
REVISIONS			
REV	DESCRIPTION	DATE	APPROVED
-	INITIAL RELEASE	07/27/00	G. SAKONA
A	SEE ECN E0745	02/23/03	G. SAKONA



TOOL VIEW



ROBOT VIEW



- NOTES:
- ALL DIMENSIONS ARE IN MILLIMETERS UNLESS OTHERWISE NOTED.
 - NOTED PARTS MAY BE ALUMINUM OR STAINLESS STEEL AS REQUIRED.
 - ALUMINUM PARTS ARE ANODIZED (TYPE 2, CLASS 2), STAINLESS STEEL PARTS ARE ELECTROPOLISHED.
 - AVAILABLE STANDARD SENSOR LOAD RATINGS INCLUDE: 250, 400 AND 500lb.
WHERE: FULL SCALE Fx, Fy = SENSOR RATING
FULL SCALE Fz = SENSOR RATING * 2
FULL SCALE Mx, My, Mz = SENSOR RATING * NOMINAL DIAMETER (7.5in)
 - AXES SHOWN ASSUME OPPOSITE SIDE HELD FIXED.
 - ROBOT VIEW IS RIGHT HAND RULE (JR3 STANDARD). THIS FORCES TOOL VIEW TO BE LEFT HAND RULE.
 - LENGTH OF CAPTIVE SCREW PROJECTION MAY BE ALTERED PER CUSTOMER REQUEST.
 - SCREWS ARE CAPTIVE, FREE TO ROTATE, AND ACCESSIBLE WITH HEX KEY THRU SENSOR TOOL PLATE.
 - MAXIMUM ALLOWED SCREW PENETRATION INTO SENSOR TOOL PLATE IS 20mm (.80in).
 - TORQUE SCREWS TO 48Nm (420inlb) IN 3 EQUAL STEPS, FOLLOWING AN A-C-E-B-D-F SEQUENCE.
 - CONNECTOR IS 8 PIN MODULAR FEMALE.

TITLE: INTERFACE, 75E20 SENSOR, 1125 BOLT PATTERN, DIGITAL		
MAT'L: AS SHOWN	MODEL: 75E20A-1125-D 75E20S-1125-D	DRAWN: GCS
TOLERANCES: (UNLESS OTHERWISE NOTED) X = ±.25mm .X = ±.10mm .XX = ±.025mm ANGLES = ±0.1°		SCALE: 1/2 AND NOTED
		DWG SIZE: B
		DWG NO: 4883
		REV: A
JR3, INC. WOODLAND, CA 95776		SHEET 1 OF 1

AUTHORIZED COPY