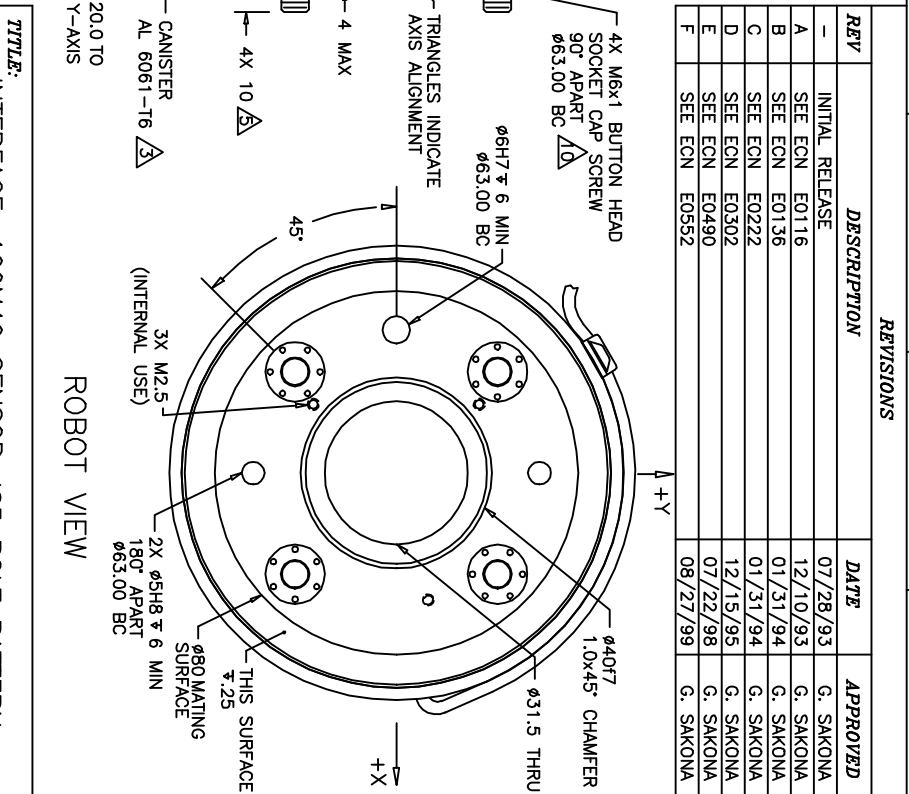
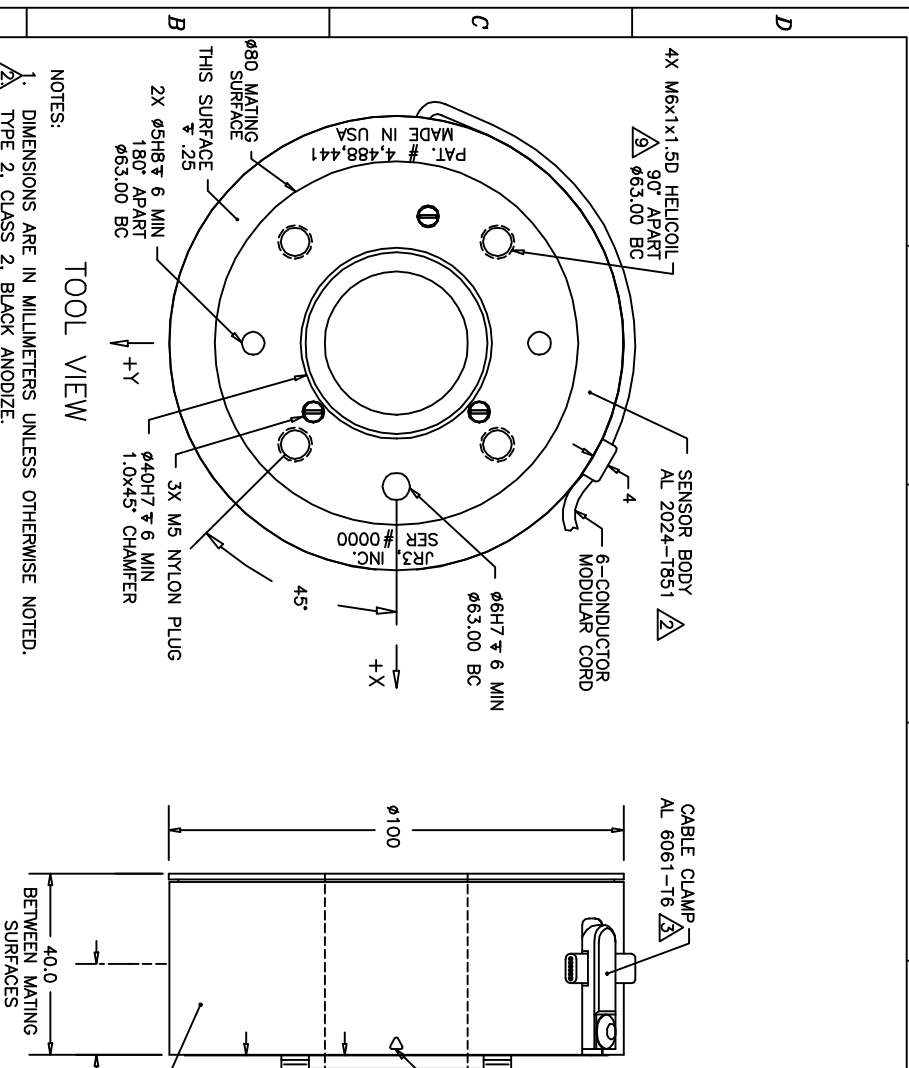


REVISIONS				
REV	DESCRIPTION	DATE	APPROVED	
-	INITIAL RELEASE	07/28/93	G. SAKONA	
A	SEE ECN E0116	12/10/93	G. SAKONA	
B	SEE ECN E0136	01/31/94	G. SAKONA	
C	SEE ECN E0222	01/31/94	G. SAKONA	
D	SEE ECN E0302	12/15/95	G. SAKONA	
E	SEE ECN E0490	07/22/98	G. SAKONA	
F	SEE ECN E0352	08/27/99	G. SAKONA	



TOOL VIEW

ROBOT VIEW

NOTES:

- DIMENSIONS ARE IN MILLIMETERS UNLESS OTHERWISE NOTED.
- TYPE 2, CLASS 2, BLACK ANODIZE.
- AVAILABLE SENSOR LOAD RATINGS INCLUDE: 25, 50, 100LB (100, 200, 400N)
- WHERE:
 - FULL SCALE Fx, Fy = SENSOR RATING
 - FULL SCALE Fz = SENSOR RATING * 2
 - FULL SCALE Mx, My, Mz = NOMINAL DIAMETER (4.0in, 100mm).
- LENGTH OF CAPTIVE BOLT PROJECTION MAY BE ALTERED PER CUSTOMER REQUEST.
- AXES SHOWN ASSUME OPPOSITE SIDE HELD FIXED.
- ROBOT VIEW IS RIGHT HAND RULE (JRS STANDARD). THIS FORCES TOOL VIEW TO BE LEFT HAND RULE.
- TORQUE ALL MOUNTING SCREWS TO 10Nm (89inlb) IN 3 EQUAL STEPS, FOLLOWING AN ACEBDF SEQUENCE.
- MAXIMUM ALLOWED SCREW PENETRATION INTO SENSOR TOOL SIDE IS 15mm (.60in).
- SCREWS ARE CAPTIVE, FREE TO ROTATE, AND ACCESSIBLE WITH HEX KEY THRU SENSOR TOOL SIDE.

TITLE: INTERFACE, 100M40 SENSOR, 163 BOLT PATTERN		DATE: 08/27/99	
MAT'L: AS SHOWN	MODEL: 100M40A-163	DATE: 07/28/93	APPROVED: G. SAKONA
TOLERANCES: (UNLESS OTHERWISE NOTED)		DATE: 12/10/93	APPROVED: G. SAKONA
X = ±.25mm		DATE: 01/31/94	APPROVED: G. SAKONA
.XX = ±.10mm		DATE: 01/31/94	APPROVED: G. SAKONA
ANGLES = ±0.1°		DATE: 12/15/95	APPROVED: G. SAKONA
DRAWN: GCS		DATE: 07/22/98	APPROVED: G. SAKONA
SCALE: 1/1 AND NOTED		DATE: 08/27/99	APPROVED: G. SAKONA
DWG SIZE: B			
DWG NO: 3813			
REV: F			

JRS, INC. WOODLAND, CA 95776

SHEET 1 OF 1