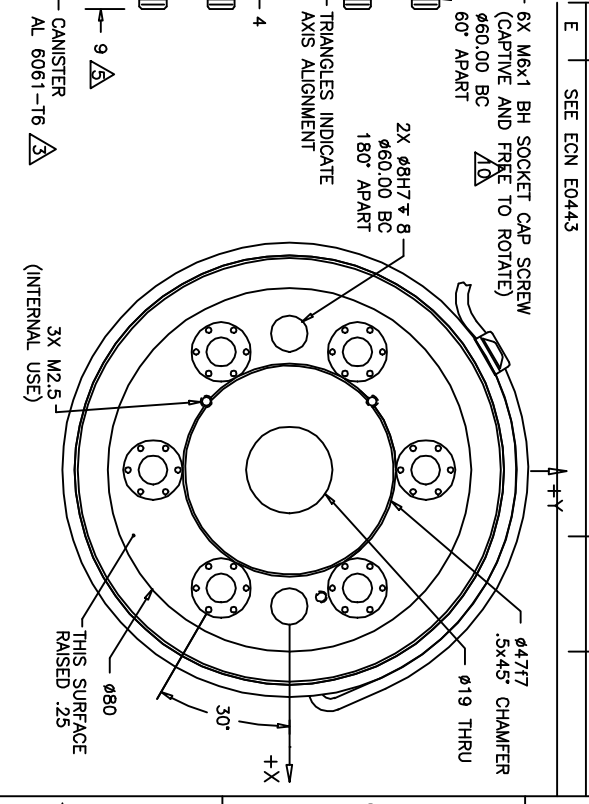
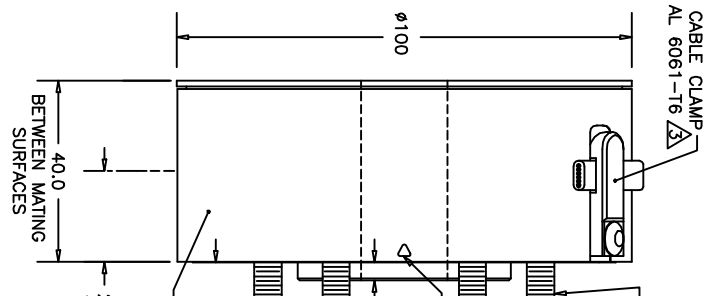
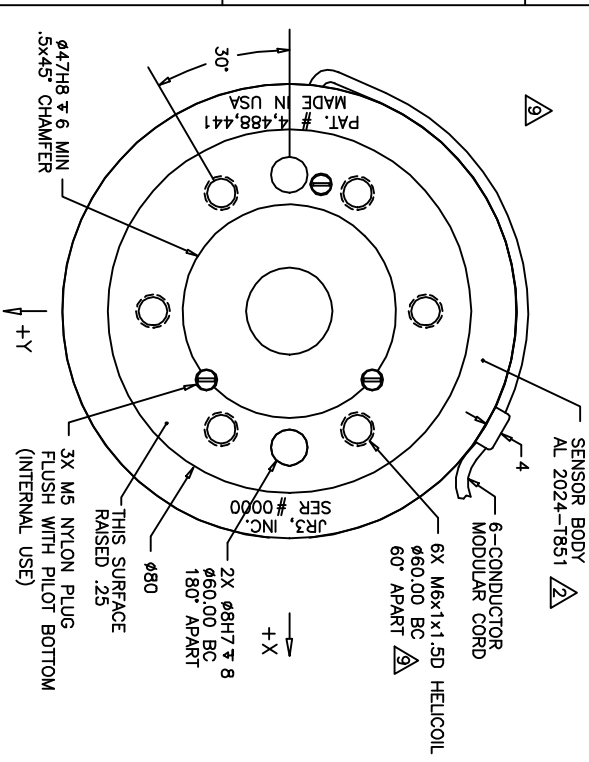


REVISIONS			
REV	DESCRIPTION	DATE	APPROVED
-	INITIAL RELEASE	07/28/93	G. SAKONA
A	SEE ECN E0117	12/10/93	G. SAKONA
B	SEE ECN E0136	01/31/94	G. SAKONA
C	SEE ECN E0223	11/02/94	G. SAKONA
D	SEE ECN E0302	12/15/95	G. SAKONA
E	SEE ECN E0443		



TOOL VIEW

ROBOT VIEW

- NOTES:
- DIMENSIONS ARE IN MILLIMETERS UNLESS OTHERWISE NOTED.
  - TYPE 2, CLASS 2, BLACK ANODIZE.
  - TYPE 2, CLASS 2, BLUE ANODIZE.
  - AVAILABLE SENSOR LOAD RATINGS INCLUDE: 25, 50, 100LB (100, 200, 400N)
- WHERE:
- FULL SCALE Fx, Fy = SENSOR RATING
  - FULL SCALE Fz = SENSOR RATING \* 2
  - FULL SCALE Mx, My, Mz = NOMINAL DIAMETER (4.0in, 100mm).

- RIGHT-HAND AND LEFT-HAND BEAD/TERMINATED PER CUSTOMER REQUEST.
- ROBOT VIEW IS RIGHT HAND RULE (JRS STANDARD). THIS FORCES TOOL VIEW TO BE LEFT HAND RULE.
- ROBOT VIEW IS RIGHT HAND RULE (JRS STANDARD). THIS FORCES TOOL VIEW TO BE LEFT HAND RULE.
- ALL DIMENSIONS ARE CAPTIVE, FREE TO ROTATE, AND ACCESSIBLE WITH HEX KEY THRU SENSOR TOOL SIDE.

**TITLE:** INTERFACE, 100M40 SENSOR, U760 BOLT PATTERN

<b>MAT'L:</b> AS SHOWN	<b>MODEL:</b> 100M40A-U760	<b>DRAWN:</b> GCS
<b>TOLERANCES:</b> (UNLESS OTHERWISE NOTED)		<b>SCALE:</b> 1/1 AND NOTED
X = ±.25mm		<b>DWG SIZE:</b> B
.XX = ±.10mm		<b>DWG NO.:</b> 3814
ANGLES = ±0.1°		<b>REV:</b> E

**JRS, INC. WOODLAND, CA 95776**

**SHEET 1 OF 1**